

Mobile lifting jack for all vehicles on the airport

ESH 6441-AF



IME-AUTOLIFT

Autolift GmbH

airport technology



ESH 6441-AF

The mobile column lift ESH 6441-AF is designed to lift up all different sizes of tyres with adjustable forks up to 64 ton vehicles.

The spectrum is from aircraft pullers to passenger busses as well as trucks and all other vehicles for the airport ground handling.



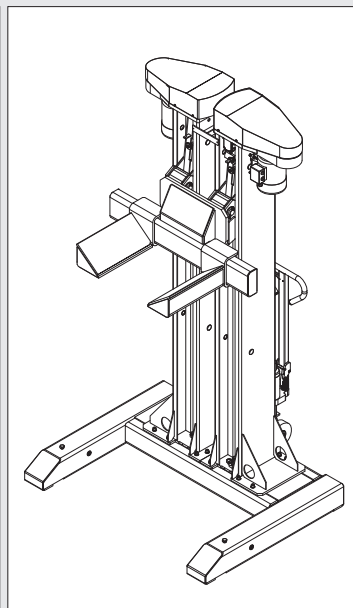
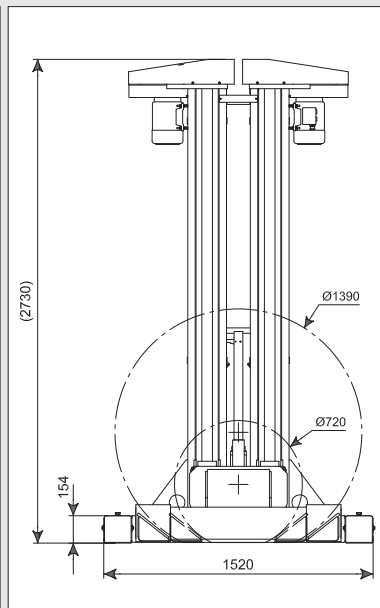
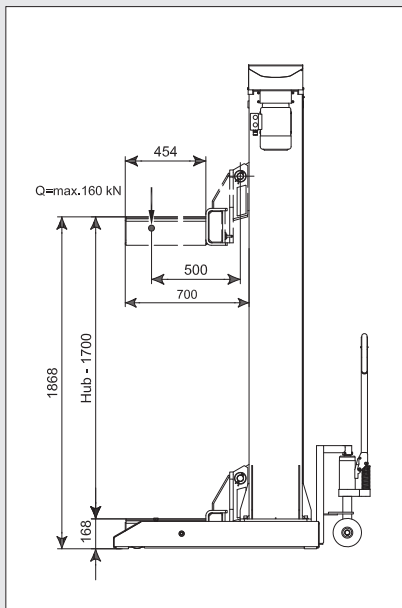
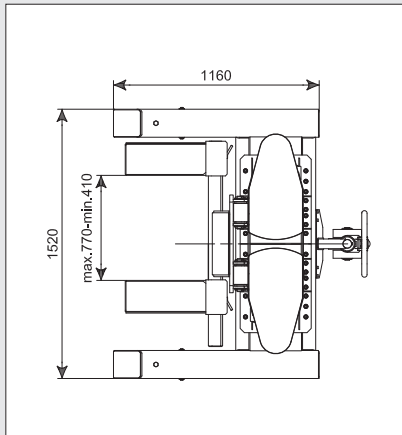
Mobile lifting jack for all vehicles on the airport

ESH 6441-AF



IME-AUTOLIFT
Autolift GmbH

airport technology



Suitable for

- › AIRCRAFT PULLERS
- › BUSES FOR PASSENGER
- › TRUCKS
- › TRACTOR
- › LOADERS

Options

AXLE TRIPOD STANDS

All measures and size are possible on request.

CE ISO 9001:2000

Autolift GmbH

Mayrwiesstraße 16
A-5300 Hallwang bei Salzburg
Tel. +43 662 45 05 88
Fax +43 662 45 05 88 18
office@autolift.info
www.autolift.info

Subject to modifications.

Technical Data

Capacity per column	16.000 kg
Total capacity	64.000 kg
Lifting height	1.868 mm
Min. height	168 mm
Stroke	1.700 mm
Adjustable fork	410 – 770 mm
Tyre size	diameter 720 – 1.500 mm
Height	2.730 mm
Length	1.160 mm
Width	1.520 mm
Power	400 V

